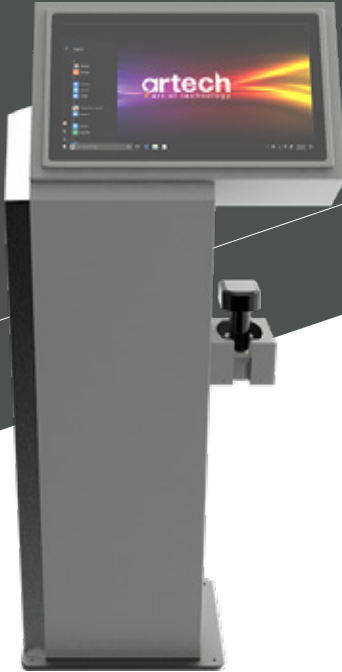


K TYPE KIOSK KABIN SERIES

INDUSTRIAL KIOSK

artech
art of technology

Industrial Computer Solutions



For detailed information
please scan the QR code.



Artech Industrial Kiosks are designed for use in various industrial areas, including manufacturing facilities, offering high performance and durability with a single-piece touchscreen solution. These kiosk cabinets, available with 15", 17", and 21" screen options, feature a robust dkp sheet metal design and electrostatic powder coating for protection; a filtered fan system/USB port output and a thin industrial dust-protected metal case are among its notable features. Additionally, customizable color options are available to aesthetically fit into any industrial environment.

MAIN ADVANTAGES

- **Single-Piece Touchscreen:** User-friendly interface and easy interaction.
- **USB Port Output:** Easy connectivity and expandability.

KEY FEATURES

- **Multiple Screen Options:** Flexibility with 15", 17", and 21" screen sizes.
- **Robust Design:** Durable structure with dkp sheet metal and extra protection through electrostatic powder coating.
- **Filtered Fan System / USB Port Output:** Ideal temperature control and easy connectivity options.
- **Thin Industrial Dust-Protected Metal Case:** Long-lasting use and durability.
- **Customizable Color Options:** Aesthetic compatibility with any industrial setting.

TECHNICAL SPECIFICATIONS

ORDER CODE

PSU	: AC - 220 VAC
-----	----------------

OTHER

15" 17" 21.5" Screen	: (Optional)
----------------------	----------------

Barcode Reader Strap	: (Optional)
----------------------	----------------

Usb Port - 2x	: (Optional)
---------------	----------------

Keyboard Holder	: (Optional)
-----------------	----------------

FEED

Input	: 220 VAC
-------	-----------

